



Limit switch metal encapsulated

➤ **Technical data**

Protection class

IP 67/IEC 60529

Enclosure

aluminium-alloy, hard-coated

Switching element

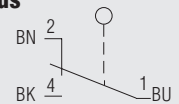
integrated micro-switch

Connection

4-core cable (H05VV-F)
cross section: 0.75 mm²
cable length: 1 m
other lengths on request

Coloured flexible leads

- 1 = blue
- 2 = brown
- 4 = black
- PE = green/yellow



Equipotential bonding

external EEx terminals

Utilization category

AC-15	5 A	250 V
DC-13	0.16 A	230 V

■ **Electrical data**

Type of contact

single-pole changeover contact

Contact resistance

60 mΩ, measure at the end of the cable a cable length of 1 metre

■ **Mechanical data**

Switching point tolerance

± 0.5 mm depending on the actuator

Switching force tolerance

± 1 N

Repeat accuracy

± 0.1 mm

Protection class

IP 67 according to DIN 40050

Mechanical life

10⁶ switching cycles

Vibration resistance

10 g at 10 to 2 000 Hz

Shock resistance/shock stability

50 g at a shock duration of 6 ms

Cable outlet

- bottom
- side
- with bottom screw socket
- with lateral screw socket

Features

- very robust construction
- IP 67 type of protection
- a choice of cable exit positions
- 16 different actuator versions

Description

Limit switches of the RET range are metal-encapsulated precision switches with a robust and compact explosion-proof structures.

Our connection cable comes prewired, is equipped with a strain-relief device and safely cast into the enclosure. We supply this robust limit switch with a standard cable length of one meter. Special cable lengths and switches with lateral cable outlets are available on request. The integrated basic switch has a single-pole changeover contact with high switching accuracy and a precise repeatability of the switching point.

Its high vibration resistance and long mechanical life are the result of extensive laboratory tests. The high protection class, IP 67, allows the switch to be used in nearly all fields of automation, mechanical and high-tec engineering.

Switching capacity			
	AC	DC (induct.)	DC (ohmic)
250 V	6.5 A	-	-
220 V	-	0.16 A	-
110 V	-	0.2 A	0.5 A
60 V	-	0.5 A	1.0 A
24 V	-	4.0 A	5.0 A
12 V	-	6.5 A	6.5 A

➤ **Explosion protection**

Ex protection type

Ex II 2G/D EEx d IIC T6 IP 65 T 80 °C

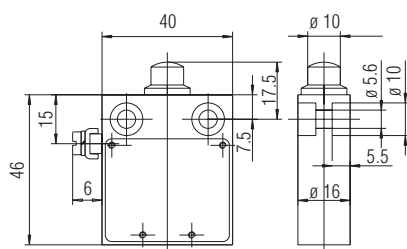
Certification

PTB 03 ATEX 1142 X

Ambient temperature

- 20 °C to +60 °C for T6
- 20 °C to +90 °C for T5 at 3 A

Dimensions in mm



Selection chart

Contact material	Code no.	Cable outlet	Code no.	Cable length	Code no.
Ag	1	bottom	1	1 m	1
		side	2		
Ag Au 0.1 A	3	with bottom screw socket	3	special lengths on request	0
Au 0.1 A	4	with lateral screw socket	4		

➤ **Complete order no.**

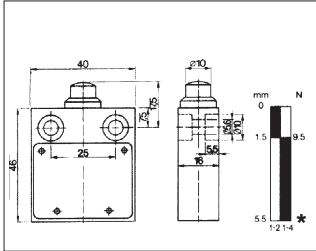
Please enter code number.



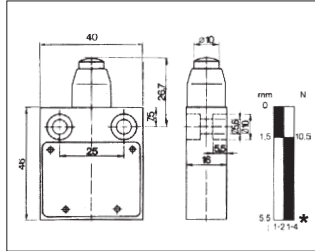


Dimensional drawings and contact travel diagrams

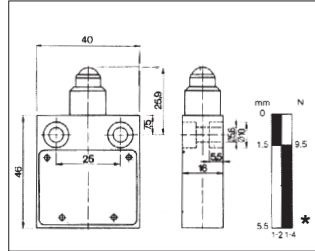
Plunger
07-2951-..30/01



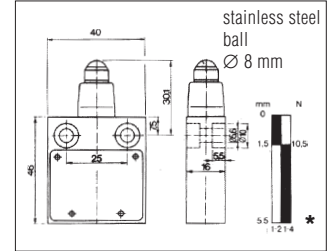
Membrane plunger
07-2951-..30/02



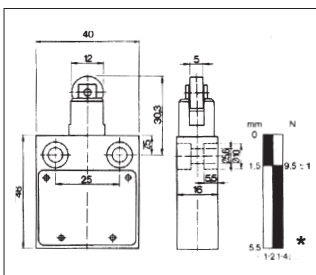
Spherical plunger
07-2951-..30/03



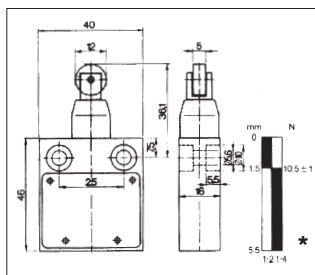
Spherical membrane plunger
07-2951-..30/04



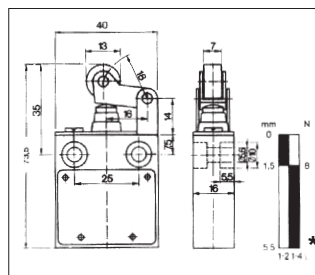
Roller plunger
07-2951-..30/09



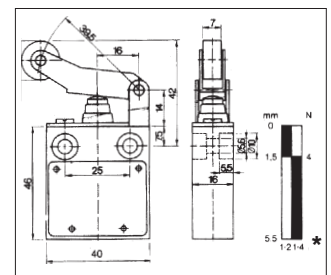
Membrane roller plunger
07-2951-..30/10



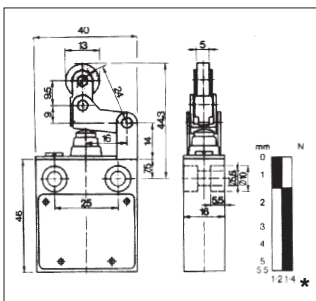
Membrane roller lever
07-2951-..30/14



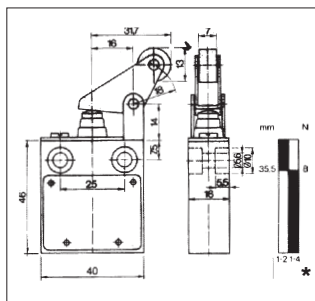
Membrane roller lever, long
07-2951-..30/16



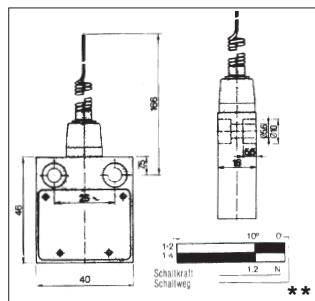
Membrane toggle roller lever
07-2951-..30/18



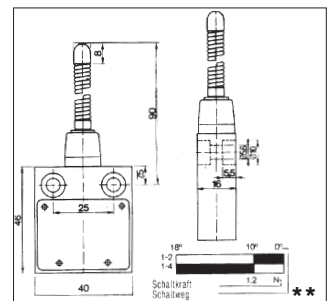
Parallel roller lever
07-2951-..30/20



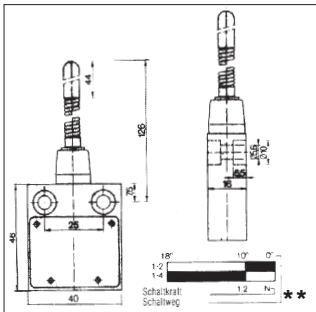
Feeler lever
07-2951-..30/32



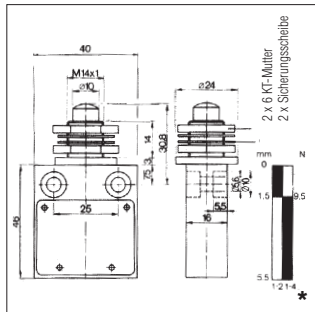
Feeler-butt lever
07-2951-..30/34



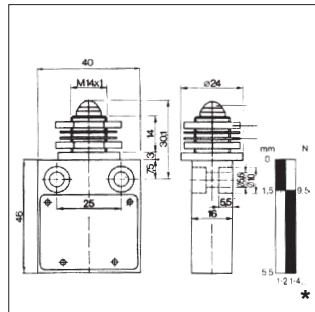
Feeler plastic lever
07-2951-..30/36



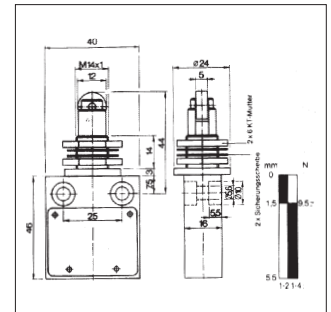
Front-mounting dome plunger
07-2951-..30/47



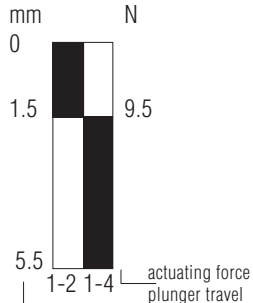
Front-mounting spherical plunger
07-2951-..30/49



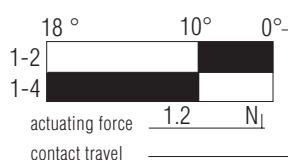
Front-mounting-roller lever
07-2951-..30/51



*** Contact travel diagram**



**** Contact travel diagram**



* Dimensions for an additional actuator are reference values

Cable outlet

