

HIGH TEMPERATURE RH AND TEMPERATURE TRANSMITTER

SEM165

- > DUCT MOUNTING
- > HIGH TEMPERATURE
- > RAPID RESPONSE
- > ROBUST CONSTRUCTION
- > OUTPUT OPTIONS
- > INDICATION OPTIONS
- > 5 YEAR WARRANTY



INTRODUCTION

The SEM165 series are stainless steel bodied probes offering an excellent performance in harsh industrial process control environments and energy management applications.

The SEM165 probe operates from (-30 to 140) °C.

Single hole mounting via a 1/4" BSP pressure gland allows for simple installation into ducts pipes or process chambers and facilitates adjustment of insertion depth. The Status Instruments SCH4 terminal head is sealed to IP65 with cable entry via a M20 cable gland.

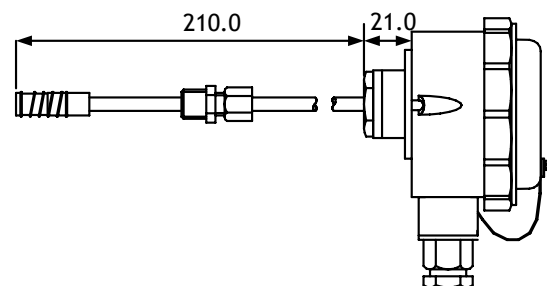
High temperature RH probe operation option from (-30 to 140) °C and presents a versatile solution for the majority of humidity and temperature control applications.

SPECIFICATIONS @ 20 °C

RELATIVE HUMIDITY	
Sensor	Capacitive
Measurement Range	(0 to 100) % RH
Accuracy RH	± 2 %
Operating Temperature	(-30 to 140) °C
OUTPUT	
Output Load (max.)	$\frac{(V_{\text{supply}} - 12)}{20}$ kΩ
TEMPERATURE	
Sensor	Pt100
OUTPUT	
	(4 to 20) mA , 2 wire
Output Load (max.)	$\frac{(V_{\text{supply}} - 12)}{20}$ kΩ
Spans	(0 to 100) Standard Other options to order
Accuracy Temperature	± 1 °C
GENERAL	
Pressure Rating	(-0.04 to 30) Bar
Supply Voltage	(12 to 32) VDC (Nominal 24 V)
Connections	Screw terminals
APPROVALS	
EMC	BS EN61326

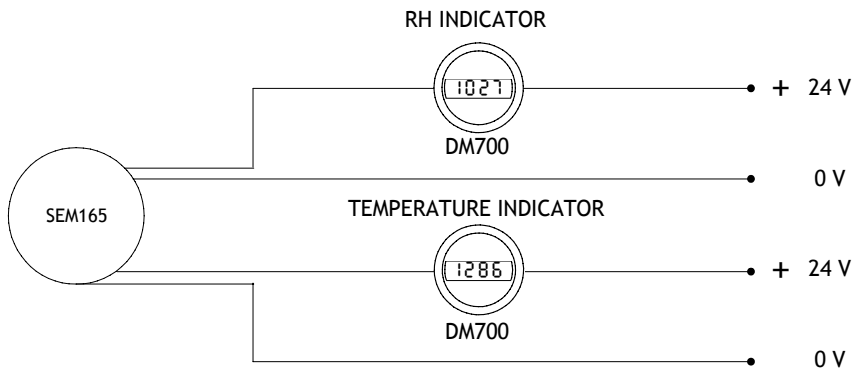
MECHANICAL DETAILS

(All dimensions in mm)



HIGH TEMPERATURE RH AND TEMPERATURE TRANSMITTER

TYPICAL APPLICATION



ORDER CODE

SEM165

(-30 to 140) °C RH/Temperature